

Guss Kugelrückschläger NW100 / Typ FUC

beidseitig Flansch, NW100, LK = 180 mm, Einbaulänge 300mm (für Medium Wasser)

Röhre Moos Artikel Nummer: GRück100KUG

Erstellt am 28.2.2024 P.M

CHECK VALVE BOLA metal/rubber sealed DN 32 - 400 PN10/16

03.300



Product description

- Check valve series BOLA for drinking water and neutral liquids
- Service temperature from 0°C (excluding frost) to 70°C

Standards

- Designed according to EN 1074 part 3
- Flange drilling to EN 1092-2 PN10/16
- Face-to-face according to EN 558 table 2 series 48

Tests

All valves are individually hydrostatically tested according to EN 1074:

- Seal 1.1 x PN (in bar); Body: 1.5 x PN (in bar)

Corrosion protection

- Epoxy powder coating RAL 5005
- Applied internal and external with a minimum coating thickness of 250 µm
- Potable water approved epoxy coating, fusion bonded according DIN 3476-1, EN 14901 and GSK approved

Approvals

- GSK Epoxy Coating Certificate GSK-ID:1247 (RAL-GZ 662)

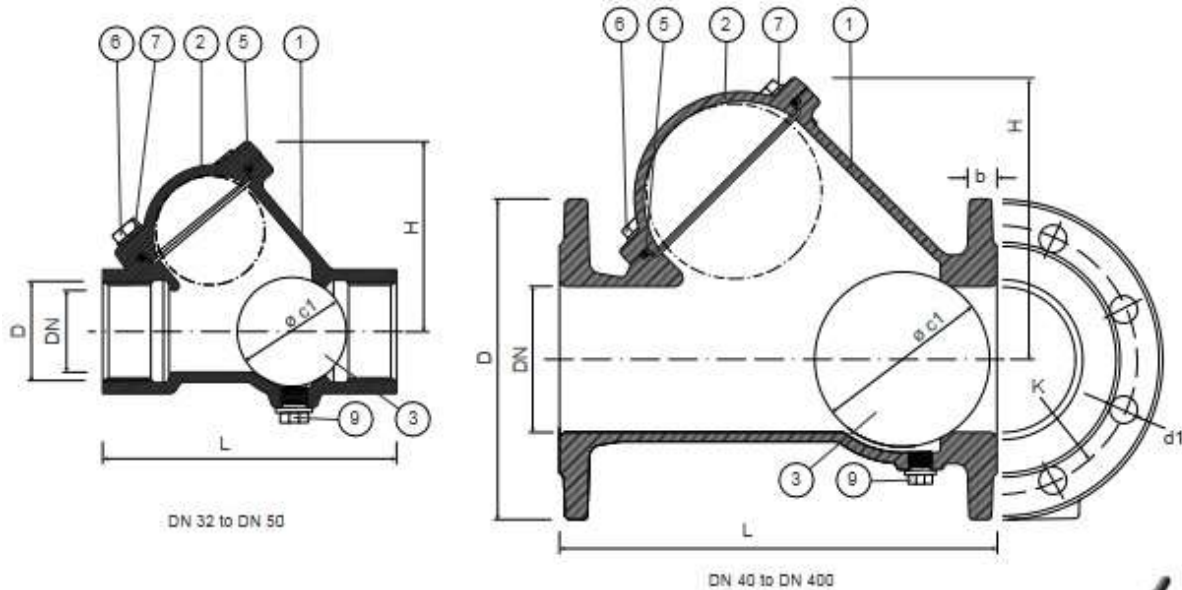
Features

- Valve with automatic mechanical closing for installation in pumping systems preventing the return of the flow
- Valve available in threaded or flanged model
- Full complete passage without obstacles, avoiding head loss
- The ball self-cleaning during the valve operation
- Easy maintenance valve, innovative system for removing the ball, which allows the ball to be removed from the valve, using only the key designed for this purpose, it is not necessary to remove the valve from the pipeline
- The valve should be installed on the horizontal or vertical position, the flow must coincide with the arrow direction engraved on the valve body
- Round EPDM or NBR (on request) bonnet gasket fixed in a recess, surrounding the bolts, ensuring a perfect seal
- EPDM coated aluminum ball (DN32 a DN100); Ductile iron EN-GJS-500-7 (DN125 a DN400); The rubber's hardness is optimized to prevent the ball from getting stuck
- Accessories: Key for ball extraction [ref.05.800]
- On request the possibility of applying a plug for checking and cleaning.



CHECK VALVE BOLA
metal/rubber sealed
DN 32 - 400 PN10/16

03.300



Component list

| pos. | components | material | standard |
|------|---------------|---|--------------------|
| 1 | Body | Ductile iron EN-GJS-500-7 | EN 1563 |
| 2 | Bonnet | Ductile iron EN-GJS-500-7 | EN 1563 |
| 3 | Ball | Aluminium ALSI 12 [DN32 to DN100] Ductile iron EN-GJS-500-7 [DN125 to DN400] | EN 1706 EN 1563 |
| | Ball covering | Elastomer EPDM | EN 681 - 1 |
| 5 | Bonnet gasket | Elastomer EPDM | EN 681 - 1 |
| 6 | Bolts | Stainless steel A2 | EN 10088 - 1 |
| 7 | Washers | Stainless steel A2 | EN 10088 - 1 |
| 9 | Plug (option) | Stainless steel A4 | EN 10088 - 1 |



Detail of the extraction
the ball using the key [ref.05.800]



Detail of the plug (option)

Reference and dimensions

| DN | PN | code | D | ø c1 mm | L mm | H mm | K mm | n° x d1 mm | b mm | ⊕ (option) | Kg approx. |
|-----------------------|-------|----------|--------------|------------|---------|---------|---------|---------------|---------|---------------|---------------|
| Threaded model | | | (BSP) | | | | | | | | |
| 32 | - | 10763514 | G 1¼" | 50 | 140 | 105 | - | - | - | G ¼" | 3 |
| 40 | - | 10763524 | G 1½" | 50 | 150 | 105 | - | - | - | G ¼" | 3 |
| 50 | - | 10763534 | G 2" | 65 | 180 | 120 | - | - | - | G ½" | 5 |
| Flanged model | | | mm | | | | | | | | |
| 40 | 10/16 | 10763544 | 150 | 50 | 180 | 105 | 110 | 4 x 19 | 19 | G ¼" | 7 |
| 50 | 10/16 | 10763554 | 165 | 65 | 200 | 120 | 125 | 4 x 19 | 19 | G ¼" | 8 |
| 60 | 10/16 | 10763564 | 175 | 80 | 240 | 142 | 135 | 4 x 19 | 19 | G ¼" | 10 |
| 65 | 10/16 | 10763574 | 185 | 80 | 240 | 142 | 145 | 4 x 19 | 19 | G ¼" | 10 |
| 80 | 10/16 | 10763584 | 200 | 100 | 260 | 165 | 160 | 8 x 19 | 19 | G ½" | 14 |
| 100 | 10/16 | 10763594 | 220 | 120 | 300 | 194 | 180 | 8 x 19 | 19 | G ½" | 19 |
| 125 | 10/16 | 10763604 | 250 | 146 | 350 | 221 | 210 | 8 x 19 | 19 | G ½" | 25 |
| 150 | 10/16 | 10763614 | 285 | 173 | 400 | 262 | 240 | 8 x 23 | 19 | G ½" | 35 |
| 200 | 10 | 10763624 | 340 | 238 | 500 | 353 | 295 | 8 x 23 | 20 | G ½" | 61 |
| 200 | 16 | 10763628 | 340 | 238 | 500 | 353 | 295 | 12 x 23 | 20 | G ½" | 61 |
| 250 | 10 | 10763634 | 400 | 298 | 600 | 437 | 350 | 12 x 23 | 22 | G ¾" | 99 |
| 250 | 16 | 10763638 | 400 | 298 | 600 | 437 | 355 | 12 x 28 | 22 | G ¾" | 99 |