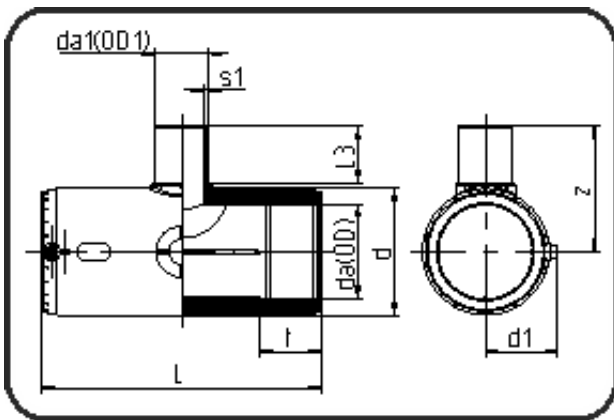


## E-Schweissbare Fittings



Code: 175

- E-T-Stück reduziert
- MOP Wasser 16bar / Gas 10bar
- W/P-TW
- formgespritzt
- Heizwendelschweissung
- PE 100-RC schwarz

| Dimension | Code           | Detail            | Gewicht |
|-----------|----------------|-------------------|---------|
| 160/125   | 70.175.1612.11 | 160/125 SDR 17-11 | 5.84    |

|         | Einheit | Nominale | Tol+ | Tol- |
|---------|---------|----------|------|------|
| da(OD)  | mm      | 160      | 1.00 | 0.00 |
| L       | mm      | 370,5    | 4.00 | 0.00 |
| L3      | mm      | 111      | 1.50 | 1.50 |
| d       | mm      | 211,5    | 1.00 | 1.00 |
| d1      | mm      | 110,5    | 1.00 | 1.00 |
| t       | mm      | 85       | 3.00 | 3.00 |
| s1      | mm      | 11,4     | 1.30 | 0.00 |
| da(OD1) | mm      | 125      | 0.80 | 0.00 |
| z       | mm      | 233      | 1.50 | 1.50 |